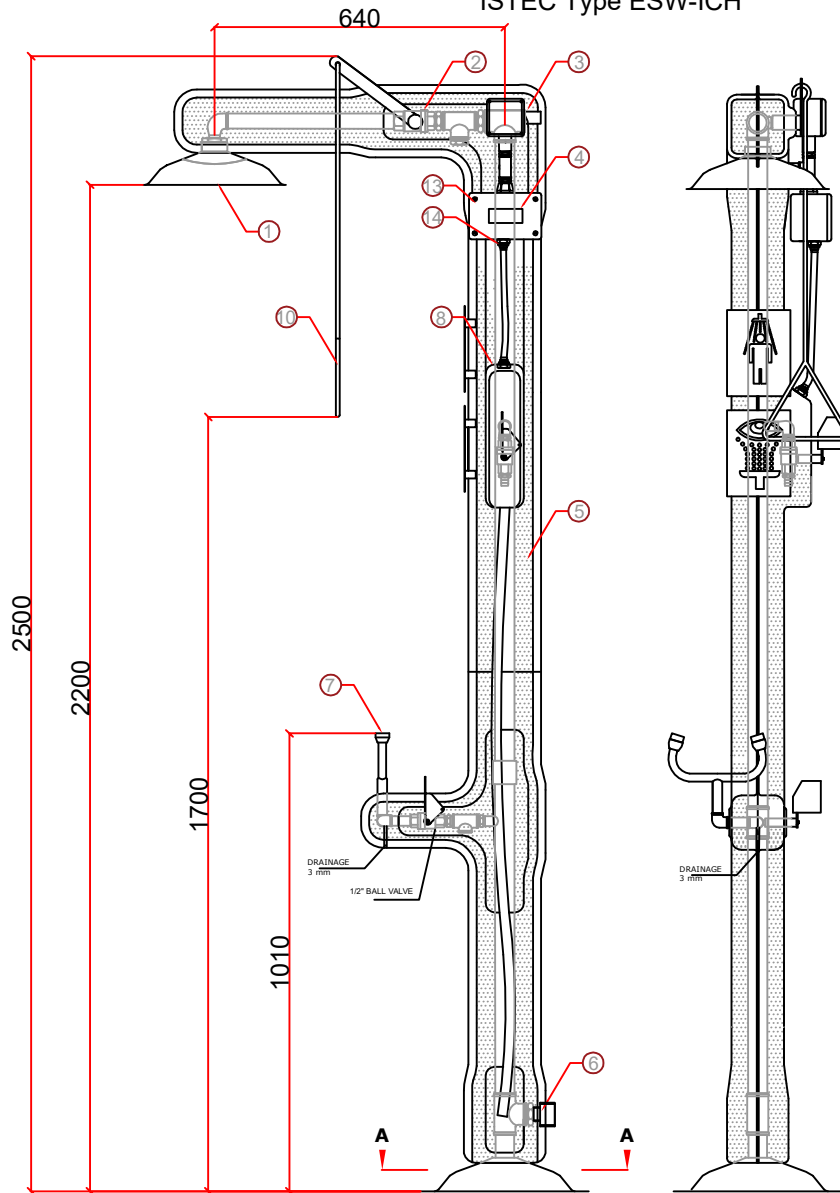


FREEZE PROOF CABLE HEATED AND INSULATED

EMERGENCY SHOWER AND EYEWASH

ISTEC Type ESW-ICH

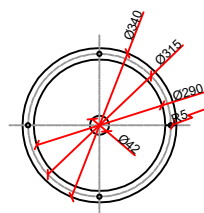


-side view-

-front view-

Standards: EN 15154-1, EN 15154-2  
 Water Flow: 11,5 lt/ min for Eyewash  
 75 lt/ min for Shower  
 Total Weight:  
 Packed Dimensions:

Static test pressure : 7 bar  
 Min using pressure : 1,4 bar  
 Max using pressure : 2,8 bar  
 Total Power:105W



section A-A

| NO. | DESCRIPTION                     | MATERIAL                  |
|-----|---------------------------------|---------------------------|
| 14  | Rakor(IP67)                     | Brass                     |
| 13  | Thermostat Box(IP66)            | Non-exproof               |
| 12  | Push Handle Control for Eyewash | Stainless Steel           |
| 11  | 1 1/4" Pipe                     | Stainless Steel           |
| 10  | Pull Rod Control for Shower     | Stainless Steel           |
| 9   | Emergency Sign                  | PVC (Luminous)            |
| 8   | Electrical Heating Tape         | Ex-proof (Zone I)15 W / m |
| 7   | Spray Nozzles                   | Brass                     |
| 6   | 1" Water Inlet (FNPT)           | Stainless Steel           |
| 5   | Insulation                      | Polietilen                |
| 4   | Digital Thermostat(IP65-IP20)   | Non-exproof               |
| 3   | Junction Box(IP67)              | Non-exproof               |
| 2   | 1" Ball Valve                   | Stainless Steel           |
| 1   | Shower head Bowl (Ø300mm)       | Stainless Steel           |

|  |  |      |             |   |                |            |  |                                     |
|--|--|------|-------------|---|----------------|------------|--|-------------------------------------|
|  | REV.   | DATE | DESCRIPTION | DESIGNED  | CHECKED        | APPROVED   | CUSTOMER<br><br>PRODUCT<br><b>15036100</b> |                                     |
|  | A  |      | FIRST ISSUE | SS  | FA             | ST         |  |                                     |
| STATUS<br>FOR INFORMATION <input type="checkbox"/><br>FOR REVIEW <input type="checkbox"/><br>FOR APPROVAL <input type="checkbox"/> | FOR RFQ/DESIGN <input checked="" type="checkbox"/> |      |             | ORIGINAL EDITION<br>DESIGNED ✓<br>CHECKED ✓<br>APPROVED ✓ | SS<br>FA<br>ST | SIZE<br>A4 | SCALE<br>1/100                             |                                     |
| DRAWING NUMBER/DATE:<br>44/16-1  |  |      |             |   |                |            | SHEET:<br>1<br>OF:<br>1                    | DRAWING NAME:<br>ISTEC Type ESW-ICH |